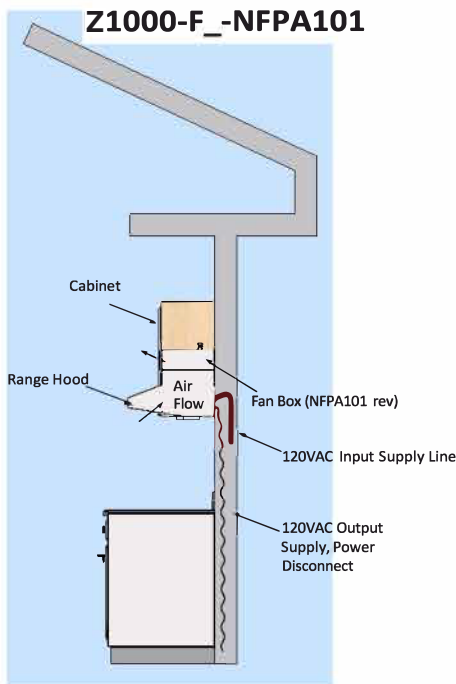
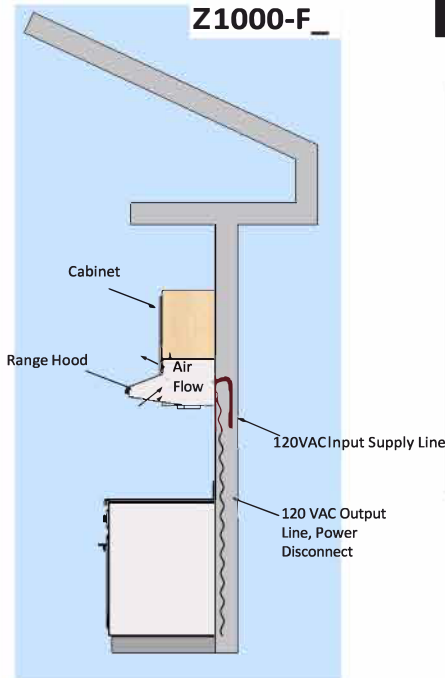


The Z1000

Model: Z1030-F
Spec & Submittal
Version 2.4



	Width	Fan Type	Venting	CFM (at hood)	DUCT LENGTH (max)
Z1030---F_	30"	INTERNAL	FRONT (recirculating)	140 CFM	N/A
Z1030---F_ (NFPA101)	30"	INTERNAL	FRONT (recirculating)	500 CFM	N/A
Z1030---R_	30"	INTERNAL	REAREXPPELLING	250 CFM	N/A
Z1030---R_ (NFPA101)	30"	INTERNAL	REAREXPPELLING	500 CFM	N/A
Z1030---I_ ---DF	30"	In---Line Duct Fan	Vertical Duct	470 CFM	35 FEET
Z1030---I_ ---DF (NFPA101)	30"	In---Line Duct Fan	Vertical Duct	510 CFM	35 FEET
Z1030---I_ ---WF	30"	Exterior Wall Fan	Vertical Duct	150 CFM	20 FEET
Z1030---I_ ---WF (NFPA101)	30"	Exterior Wall Fan	Vertical Duct	550 CFM	20 FEET
Z1036---F_	36"	INTERNAL	FRONT (recirculating)	140 CFM	N/A
Z1036---F_ (NFPA101)	36"	INTERNAL	FRONT (recirculating)	500 CFM	N/A
Z1036---R_	36"	INTERNAL	REAREXPPELLING	250 CFM	N/A
Z1036---R_ (NFPA101)	36"	INTERNAL	REAREXPPELLING	500 CFM	N/A
Z1036---I_ ---DF	36"	In---Line Duct Fan	Vertical Duct	470 CFM	35 FEET
Z1036---I_ ---DF (NFPA101)	36"	In---Line Duct Fan	Vertical Duct	510 CFM	35 FEET
Z1036---I_ ---WF	36"	Exterior Wall Fan	Vertical Duct	150 CFM	20 FEET
Z1036---I_ ---WF (NFPA101)	36"	Exterior Wall Fan	Vertical Duct	550 CFM	20 FEET

Volts = 115 :: Hz = 60 :: Amps = 5 :: Light Bulb = 60A15/TF :: Elec. Cutoff = 50A---208VAC Relay :: Gas Cutoff = 120VAC Solenoid

Typical Specifications:

Hood shall:

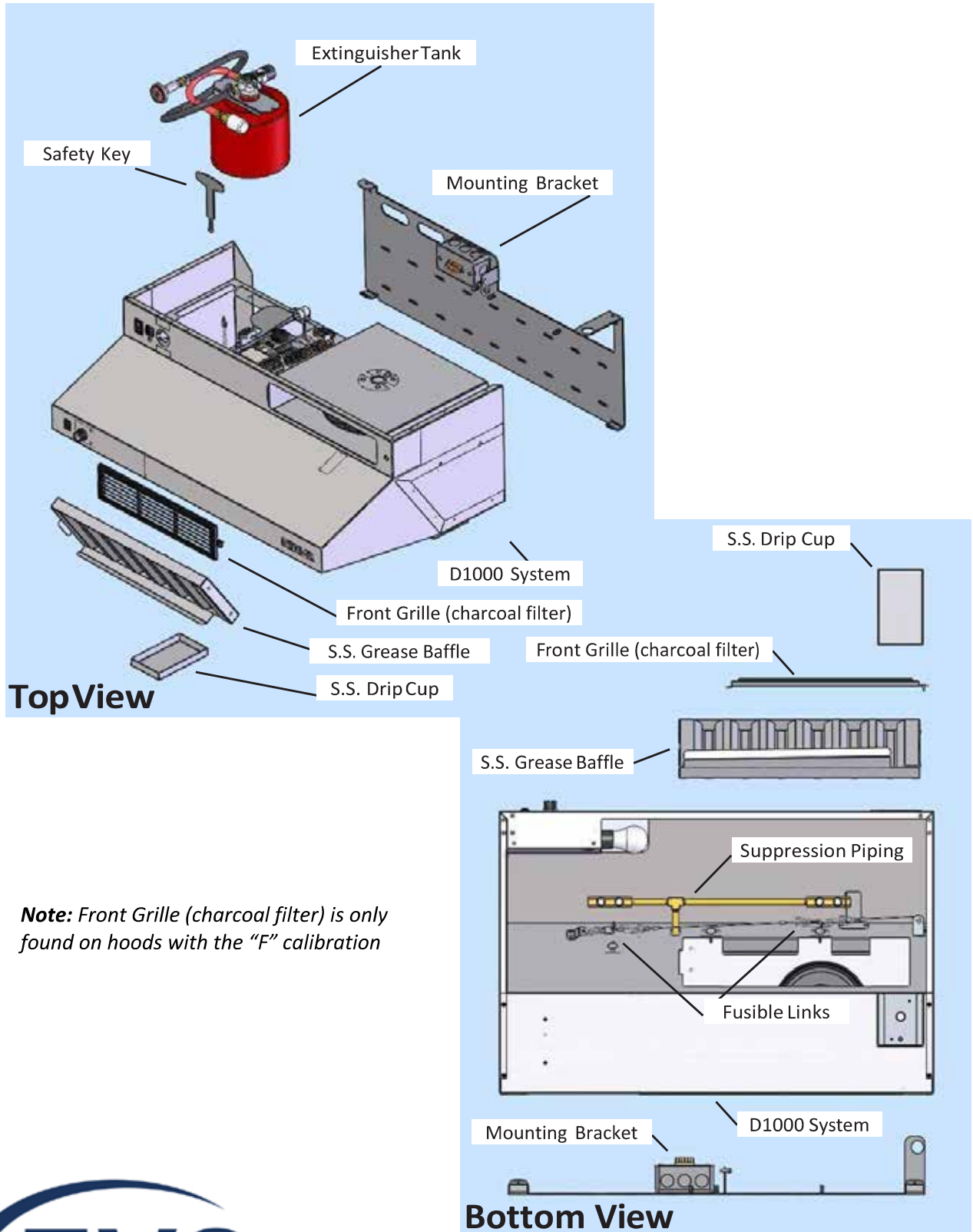
- be D1000 Series by ZVS Fire Protection
- be wall mounted so that the bottom of the mounting bracket sits 24" to 30" above the range
- be of stainless steel construction (#18 & #20 GA, polished 304) with no sharp edges and brushed finish
- have factory installed fire suppression system
- have 212 or 280 degree fusible link (30" vs 36") which will activate the mechanical fire suppression system
- have Wet chemical extinguishing agent: Low PH Amerex 660 (pressurized potassium citrate / potassium acetate mix)
- have centrifugal fan with air delivery of 380 to 610 CFM, fan speed controller will be infinitely variable
- be ETL listed, tested to UL300A standards,
- fan motor shall be permanently lubricated and meet UL507
- include a power disconnect for gas & electric appliances, activated at suppression system discharge
- automatically disconnect range element once a certain pre-set temperature is reached
- Unit shall have multiple alarm contacts pre-installed (local, remote & trouble alarms) and an audible buzzer
- Lighting shall be by 60w shatter-proof bulb

Standard Options*:

- MPK - Manual Pull Station Kit
- NSF - Upgrade to National Sanitation Foundation Compliance ADA - Handicap Accessible Control Box
- CLBX - THE CLOCKBOX (Password Protected, Range Element Timer)
- NFPA101 - Upgrade to NFPA Life Safety Code Compliance
- *Custom Powder coat Finishes Are Available



System Anatomy:: Z1030-F



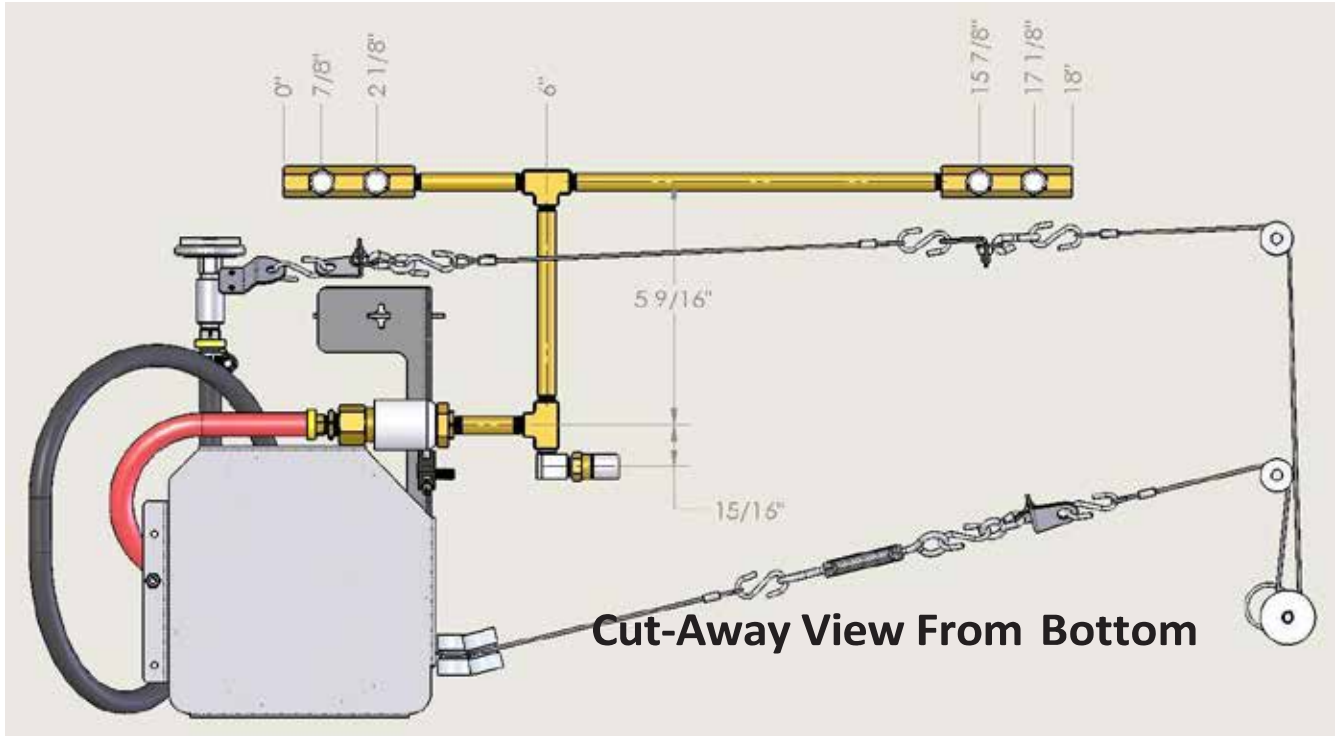
Note: Front Grille (charcoal filter) is only found on hoods with the "F" calibration



The Z1000

Model: Z1030-F
Spec & Submittal
Version 2.4

Integrated Fire Suppression System

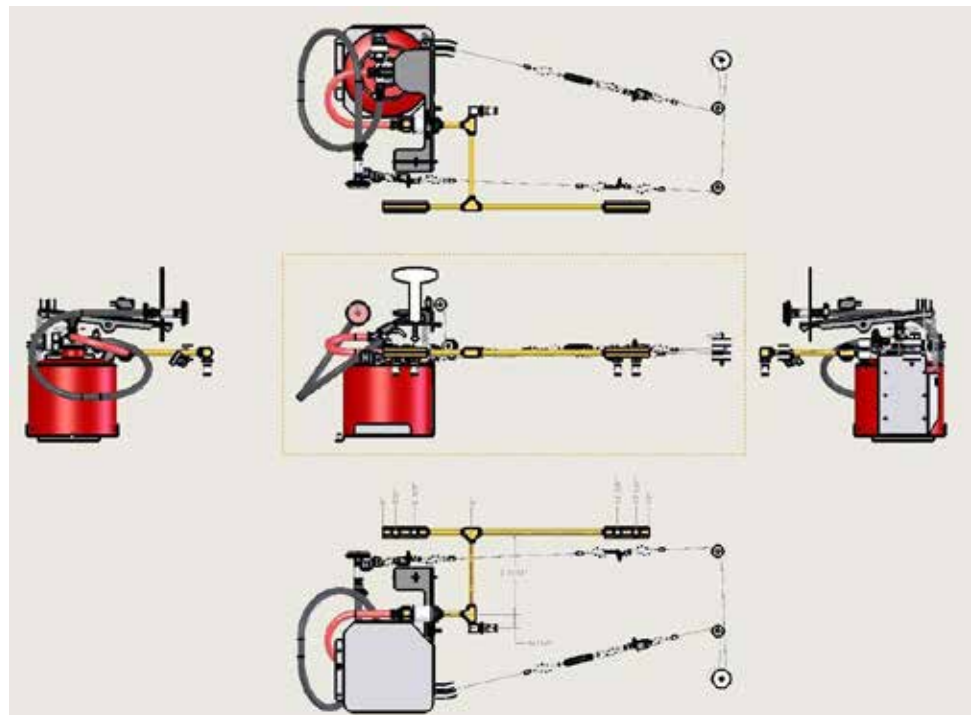


Nozzle Type:
40 degree Conical Spray

Number of Nozzles:
4 protecting the appliance
1 located in the plenum

Chemical Agent:
AMEREX 660
-low PH wet chemical

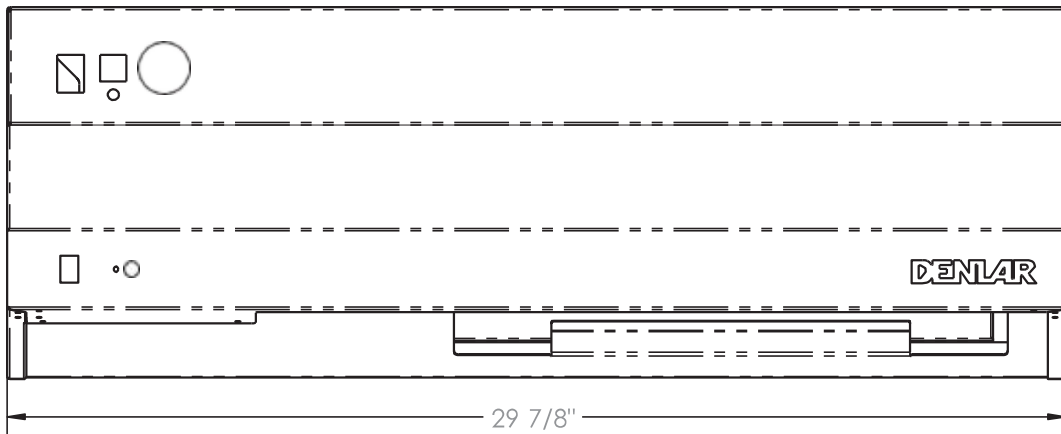
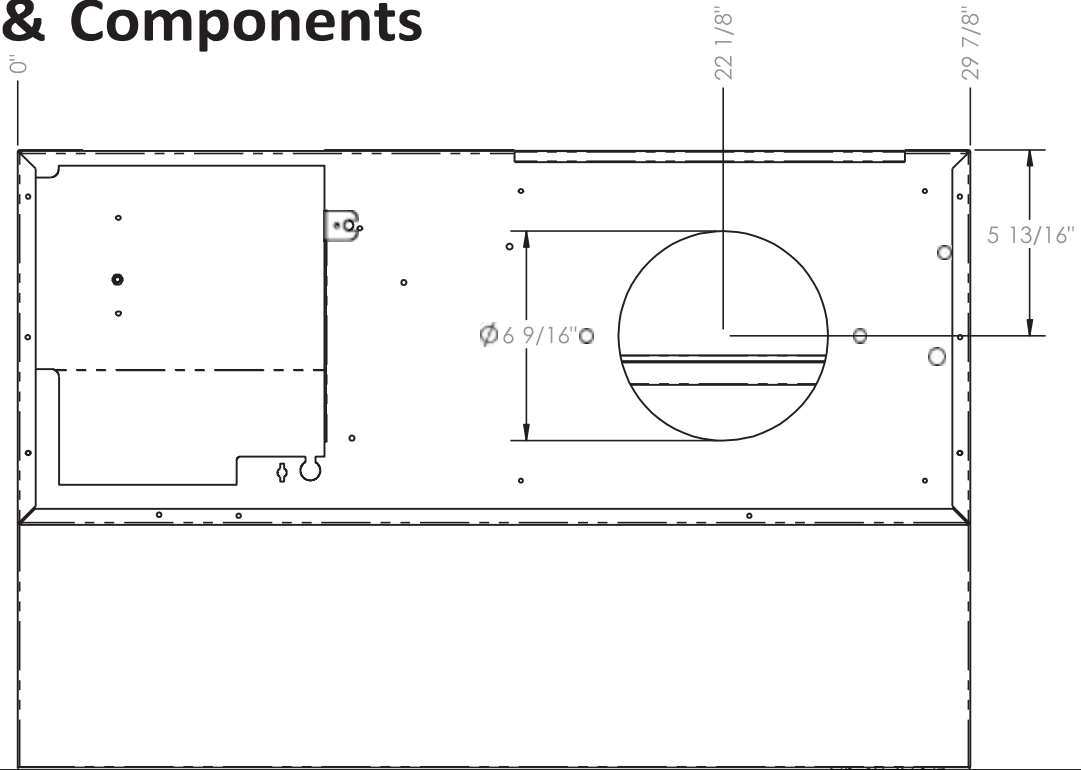
Bottle Volume:
approximately
1.5 liters



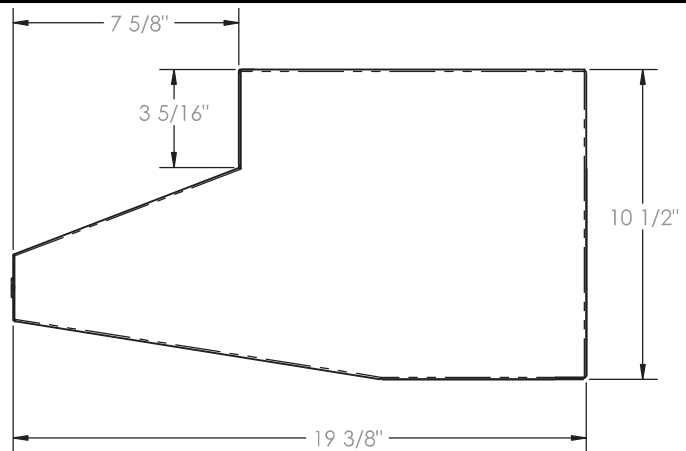
The Z1000

Model: Z1030-F
Spec & Submittal
Version 2.4

System & Components

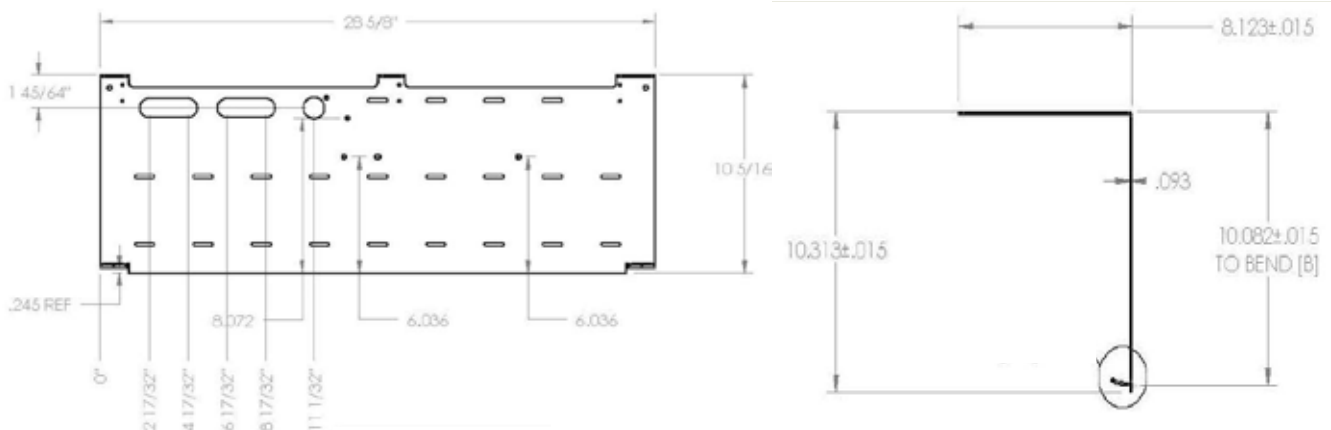
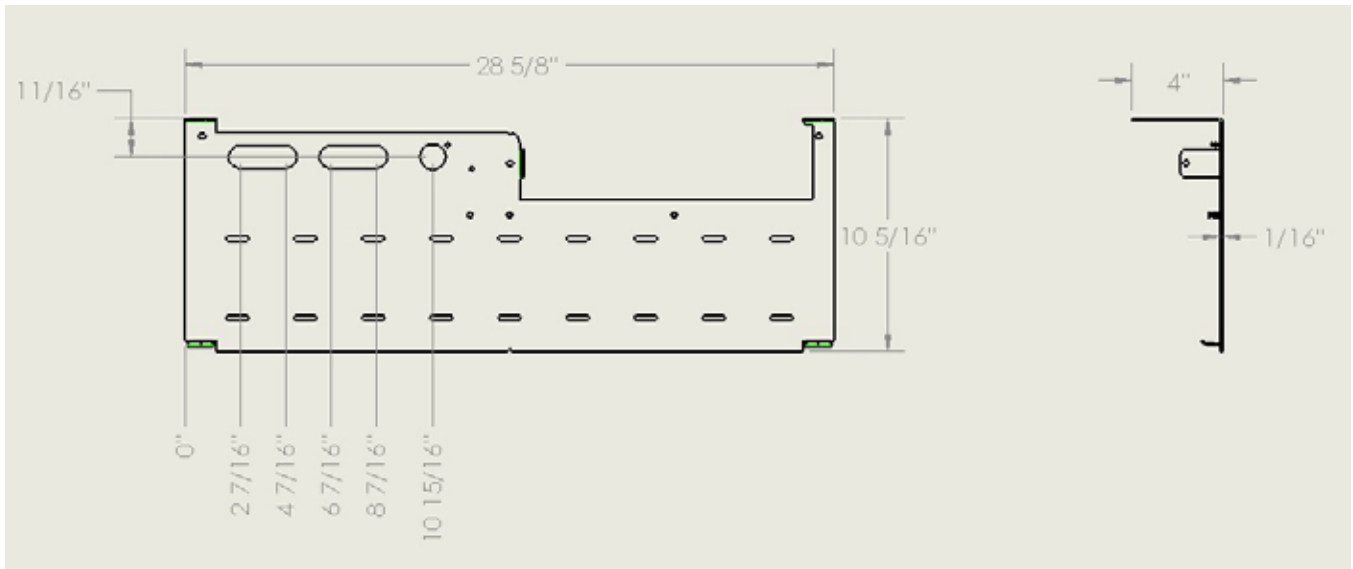


Z1030: Outer Shell



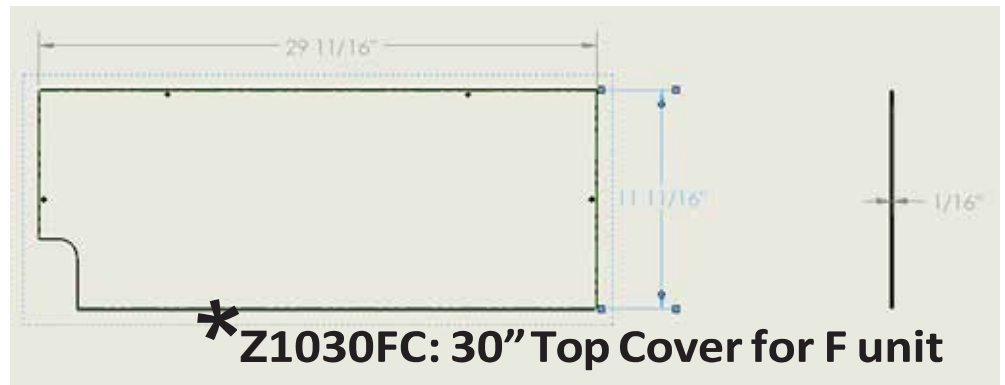
The Z1000

Model: Z1030-F
Spec & Submittal
Version 2.4



Z1000: NFPA101 Mounting Plate

Note: Top cover is not needed for the F-NFPA101



***Z1030FC: 30" Top Cover for F unit**

*Indicates OPTIONAL component



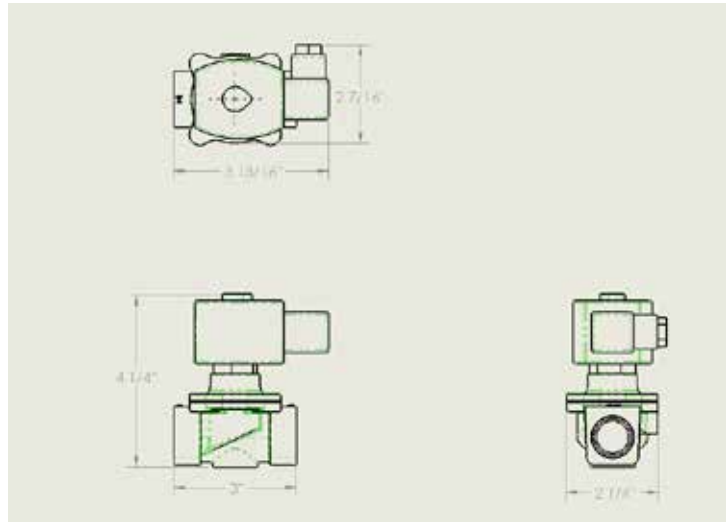
The Z1000

Model: Z1030-F
Spec & Submittal
Version 2.4

Z1000-G: Controlled GAS Solenoid Valve

Included:

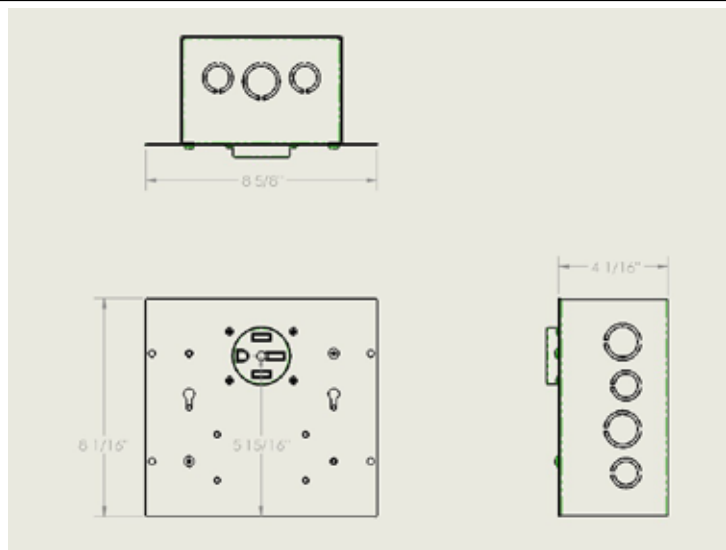
8 feet MC wire



Z1000-E: Electric Range Element Disconnect

Included:

8 feet MC wire

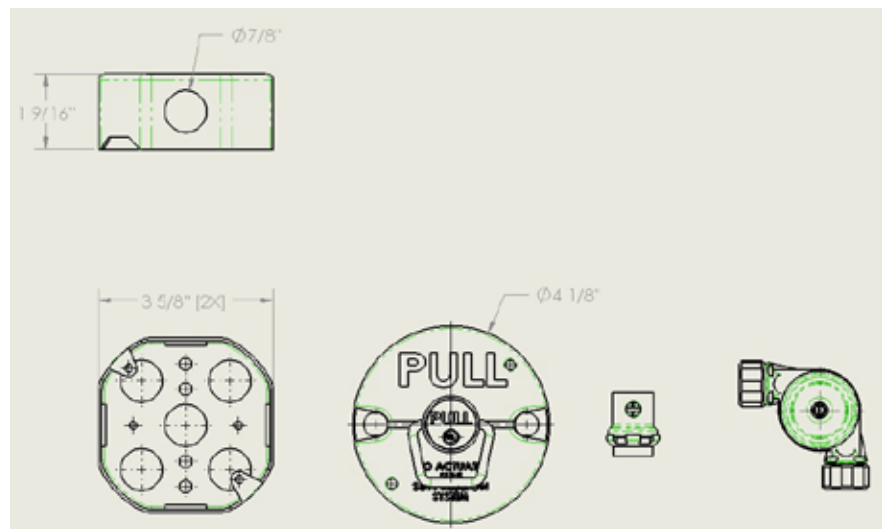


*Z1000-MPK: Manual Pull Station Kit

Included:

25 feet wire rope cable

3 corner pulleys



*Indicates OPTIONAL component



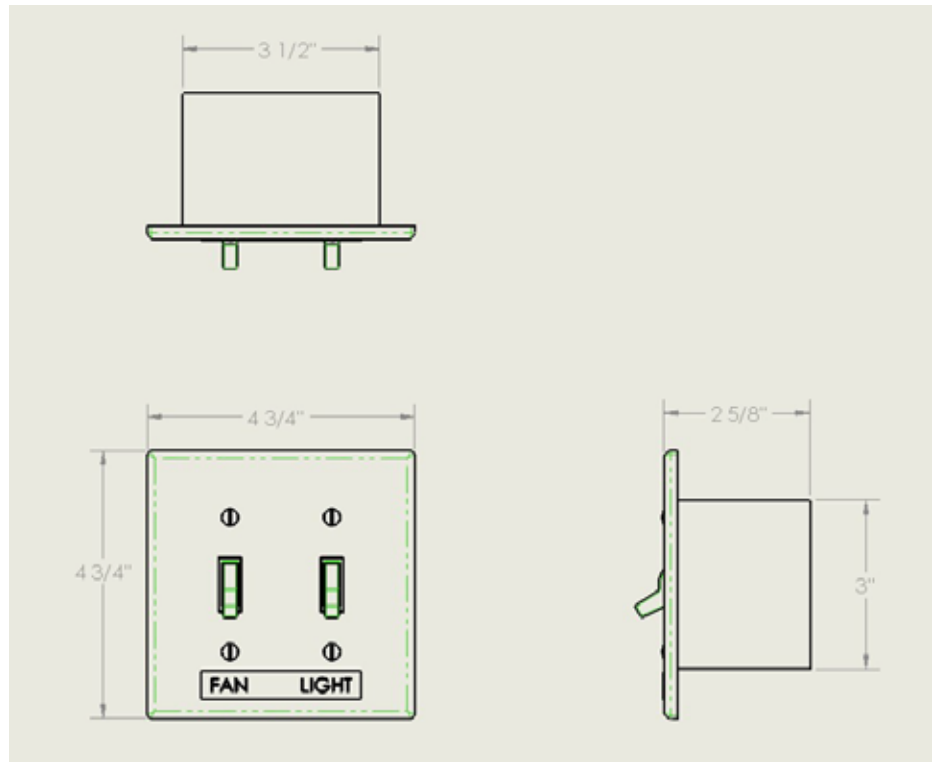
The Z1000

Model: Z1030-F
Spec & Submittal
Version 2.4

***Z1000-ADA:
Handicapped
Accessible
Control Box**

Included:

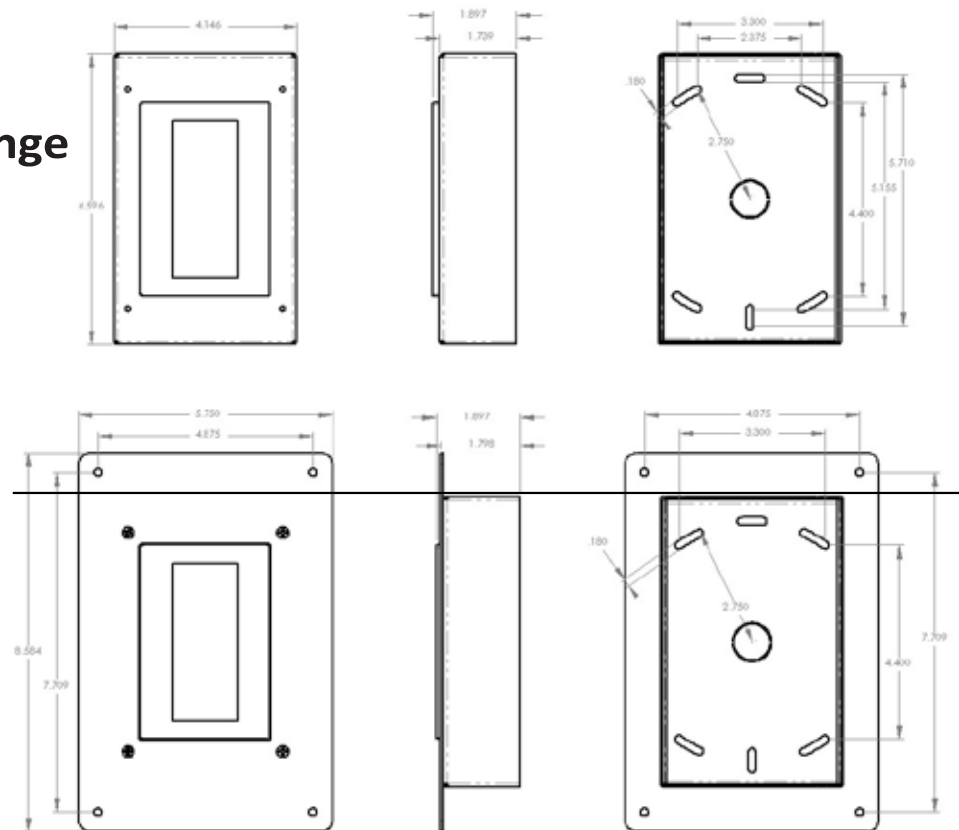
8 feet shielded MC wire
-plug & play connection



***Z1000-CLBX:
CLOCKBOX II Range
Element Timer /
Password
protected
System**

Included:

20 feet shielded
communication cable



*Indicates OPTIONAL component

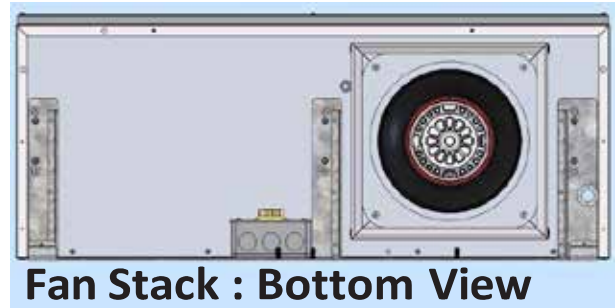
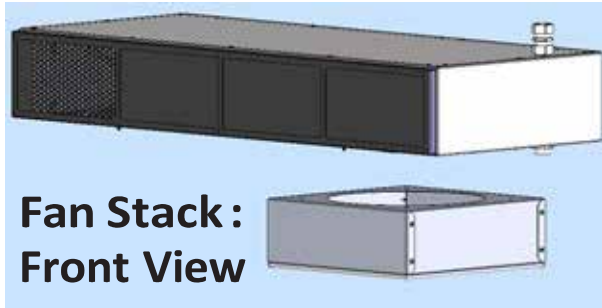


The Z1000

Model: Z1030-F
Spec & Submittal
Version 2.4

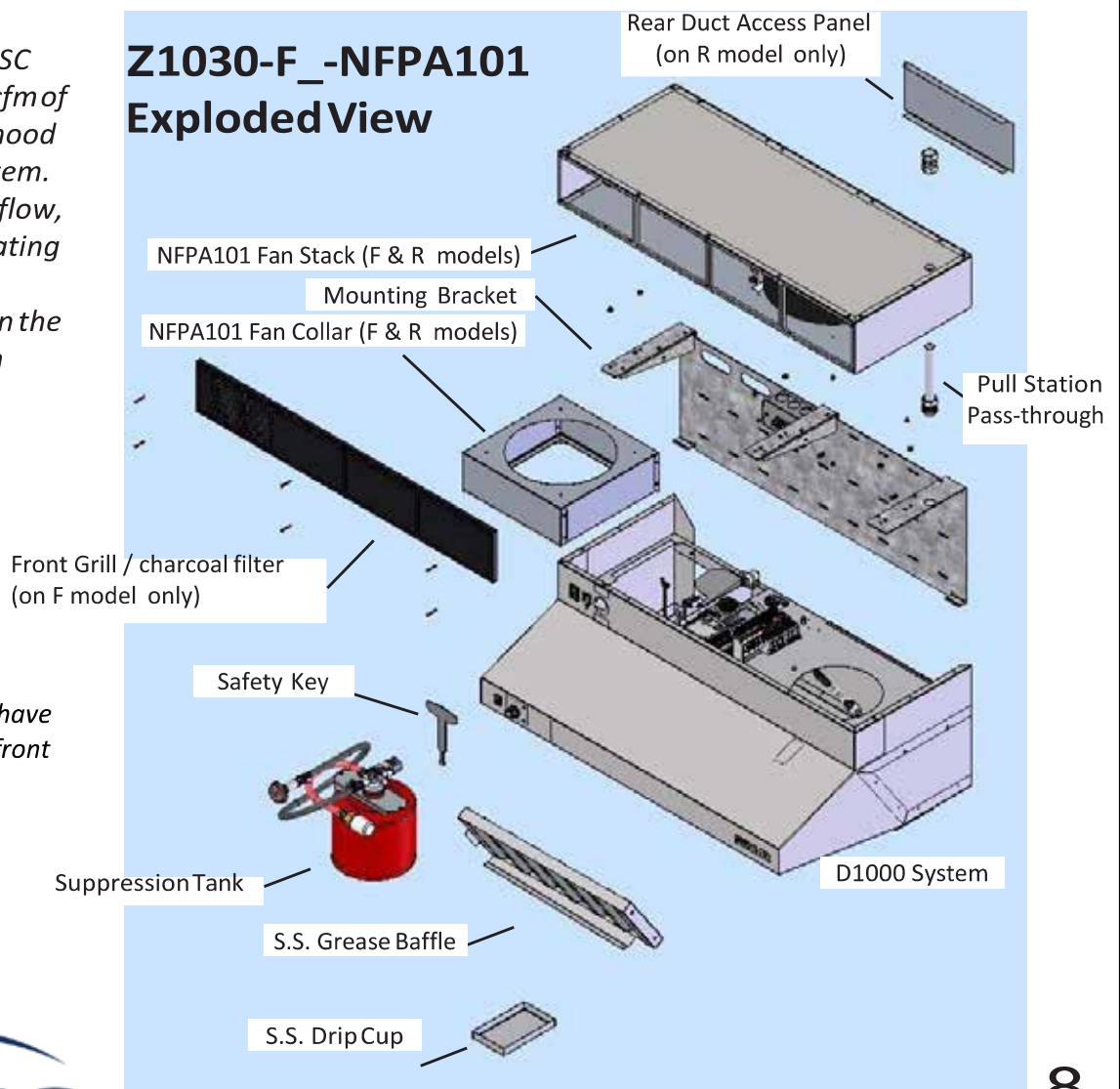
NFPA101 Calibration :: Z1030-F_-NFPA101

The NFPA101 Upgrade to the DENLAR D1000 is intended to offer total compliance to a 2012 Amendment to The NFPA Life Safety Code section 18.3.2.5.3. The "NFPA101" calibration packages the following options into one simple upgrade: +500cfm of Air Delivery, a Manual Pull Station Kit and The CLOCKBOX.



NOTE: The NFPA101 requires 500cfm of airflow in a 300A hood & suppression system. This amount of airflow, through a recirculating hood, will create inefficiencies within the system resulting in additional noise production.

Z1030-F_-NFPA101 Exploded View



Note: Rear and top discharging models have a solid plate on the front of the hood.

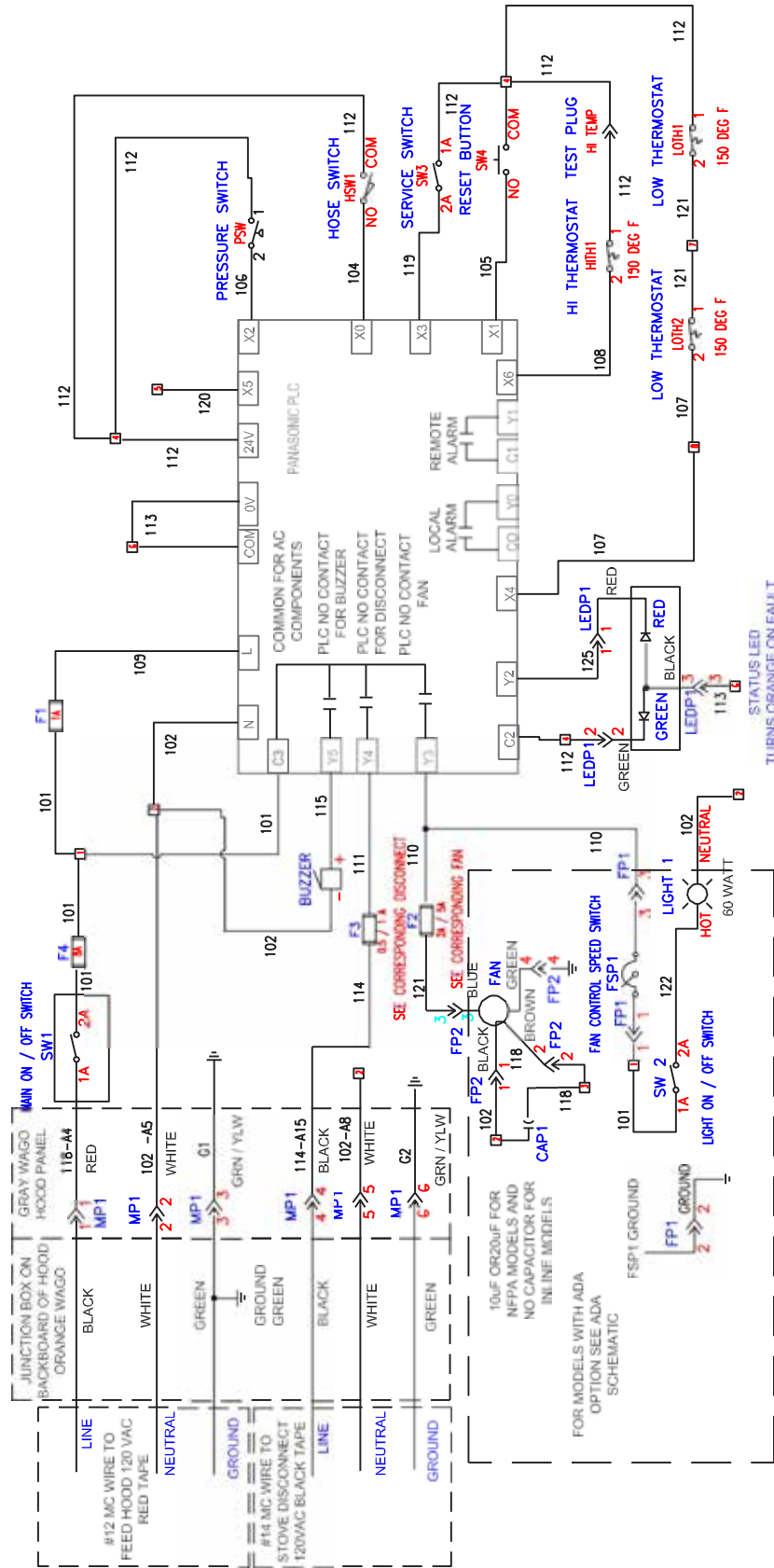


The Z1000

Model: Z1030-F
Spec & Submittal
Version 2.4



Z1000 Electrical Diagram - Complete Schematic



STATUS LED
 TURNS ORANGE ON FAULT
 D1000 SCHEMATIC REV 08/18/2016A

The Z1000

Model: Z1030-F
 Spec & Submittal
 Version 2.4