



Centrifugal Upblast Direct Drive Fans

ZVS-DU-HFA



DU-UL762

REV:#12 12/5/2018

DU SERIES UPBLAST EXHAUST FANS (UL762)

FEATURES:

- DIRECT DRIVE CONSTRUCTION(NO BELTS/ PULLEYS)
- ROOF MOUNTED FAN
- RESTAURANT MODEL
- UL705 & UL762 & ULC-S645
- VARIABLE SPEED CONTROL
- INTERNAL WIRING
- WEATHERPROOF DISCONNECT
- THERMAL OVERLOAD PROTECTION (SINGLE PHASE)
- HIGH HEAT OPERATION 300°F (149°C)
- GREASE CLASSIFICATION TESTING

NORMAL TEMPERATURE TEST

EXHAUST FAN MUST OPERATE CONTINUOUSLY WHILE EXHAUSTING AIR AT 300°F (149°C) UNTIL ALL FAN PARTS HAVE REACHED THERMAL EQUILIBRIUM, AND WITHOUT ANY DETERIORATING EFFECTS TO THE FAN WHICH WOULD CAUSE UNSAFE OPERATION.

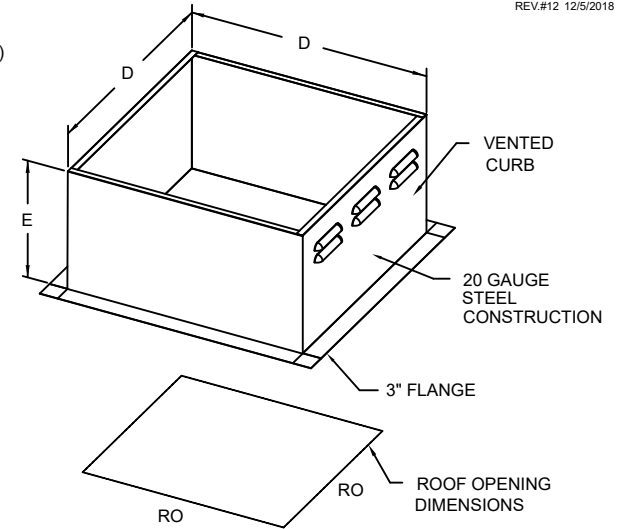
ABNORMAL FLARE-UP TEST

EXHAUST FAN MUST OPERATE CONTINUOUSLY WHILE EXHAUSTING BURNING GREASE VAPORS AT 600°F (316°C) FOR A PERIOD OF 15 MINUTES WITHOUT THE FAN BECOMING DAMAGED TO ANY EXTENT THAT COULD CAUSE AN UNSAFE CONDITION.

OPTIONS:

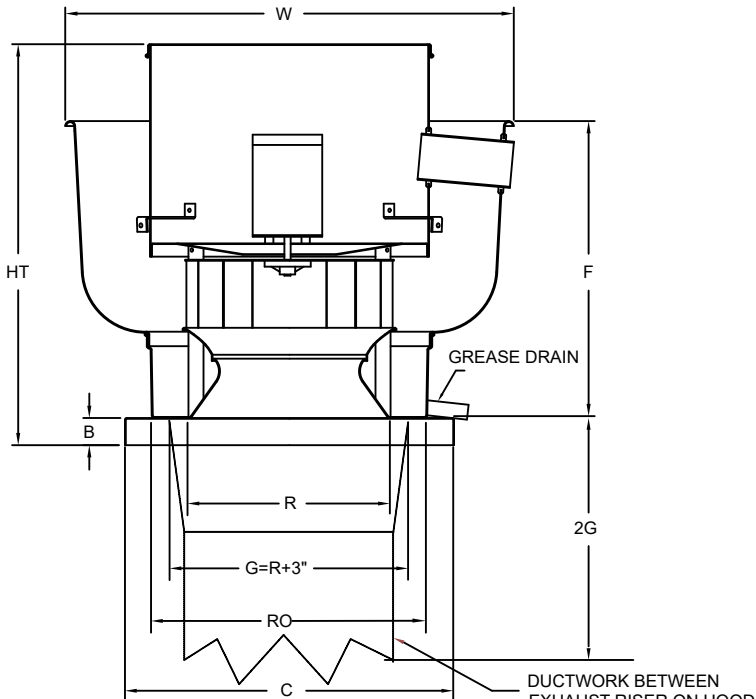
- GREASE BOX
- HINGED FAN
- PITCHED CURB
- INSULATED CURB
- LOW PROFILE OPTION

NOTES: ** LOW PROFILE "HT" DIMENSION CHANGES.



PITCHED CURBS ARE AVAILABLE FOR PITCHED ROOFS.

SPECIFY PITCH:
EXAMPLE: 7/12 PITCH = 30° SLOPE



DU DIRECT DRIVE

CENTRIFUGAL UP-BLAST EXHAUST FANS DIMENSIONAL DATA

FAN MODEL	HT	**HT	W	B	C	F	R	RO	WEIGHT LB
DU12	18	17	22	2	19	14 1/2	10 5/8	17	40
DU30	25 1/4	20 1/4	25 1/2	2	21	18 1/2	12 1/8	19	50
DU33	25 1/4	20 1/4	25 1/2	2	21	18 1/2	12 1/8	19	50
DU50	27 1/4	23 1/4	28 7/8	2	21	21 1/2	13 1/4	19	55
DU85	30 1/2	25 1/2	31 7/8	2	24 3/4	23	14 7/8	22 1/2	60
DU180	33 3/4	N/A	39 3/8	2	28	22 5/8	16 1/2	26	190
DU200	33 3/8	N/A	38 7/8	2	28	29 1/2	18	26	195
DU240	37 1/2	N/A	43 3/8	2	33	30 5/8	23 7/8	31	270
DU300	44	N/A	52 3/4	2	40	33 1/2	24	38	410
DU360	49 9/16	N/A	63 5/16	2	44	43 7/16	30	42	470

CURB DIMENSIONAL DATA

FAN MODEL	D	E
DU12	17 1/2	26
DU30	19 1/2	22
DU33	19 1/2	22
DU50	19 1/2	20
DU85	23	20
DU180	26 1/2	20
DU200	26 1/2	20
DU240	31 1/2	20
DU300	38 1/2	20
DU360	42 1/2	20